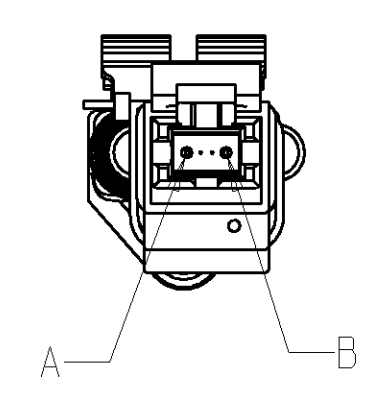


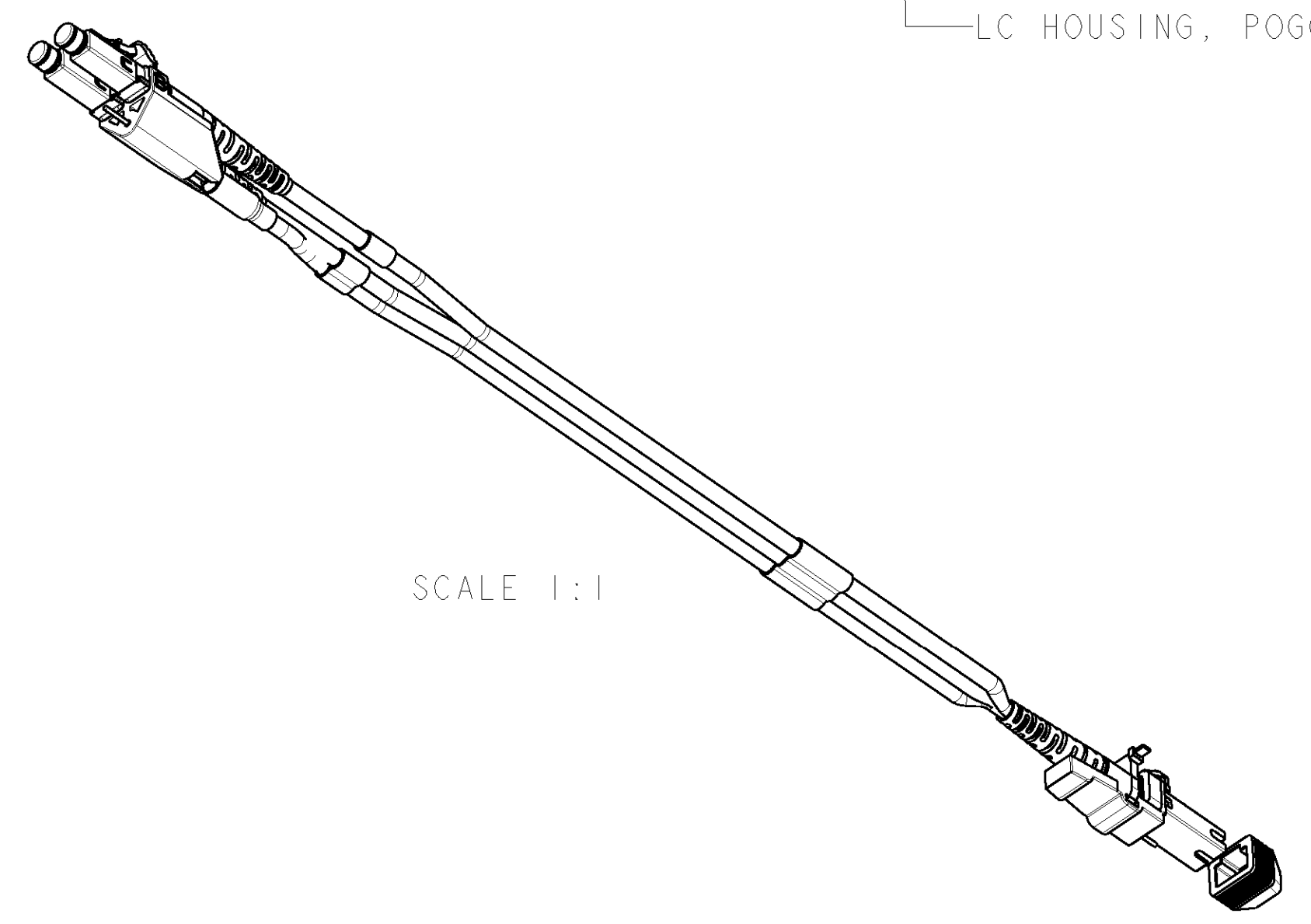
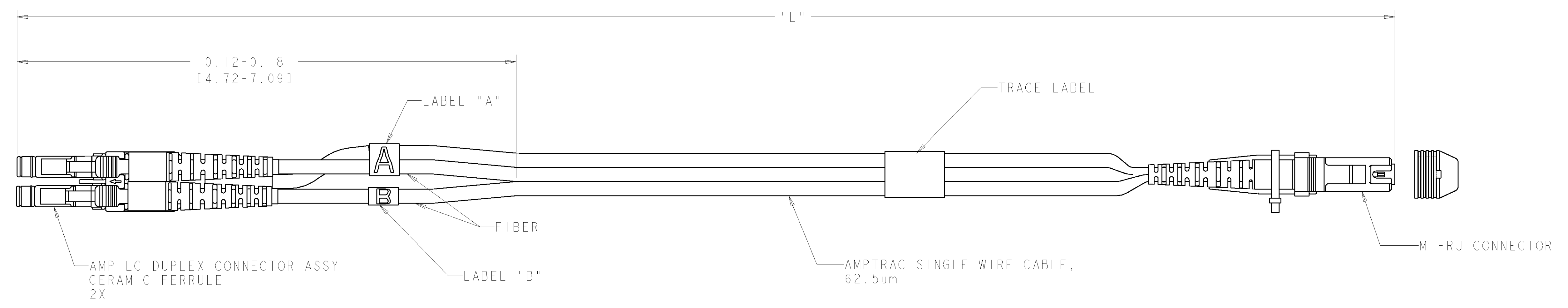
CONNECTOR LOSS (dB)	"L" METERS [INCHES]	PART NUMBER
.52	10.0±.15 [393.7±6]	1-1435792-0
.52	7.0±0.08 [275.6±3]	1435792-7
.51	5.0±.08 [196.9±3]	1435792-5
.50	3.0±.05 [118.1±2.0]	1435792-3
.50	2.0±.05 [78.7±2.0]	1435792-2
.50	1.0±.05 [39.4±2.0]	1435792-1

LOC	DIST	REVISIONS					
HM	00	P	LTR	DESCRIPTION	DATE	DWN	APVD
		A		ECR-05-002641	31MAY2005	JM	MD



FIBER COLOR	LC POSITION	MT-RJ POSITION
WHITE	A	B
BLUE	B	A

VIEW A-A



SCALE 1:1

- 1 DIMENSIONS IN [] ARE IN INCHES.
- 2 MAXIMUM CONNECTOR LOSS IS EQUAL TO .50 dB PLUS CABLE ATTENUATION.

<small>THIS DRAWING IS UNPUBLISHED. IT IS THE PROPERTY OF TYCOO ELECTRONICS CORPORATION. IT IS TO BE KEPT IN CONFIDENCE AND NOT TO BE REPRODUCED OR TRANSMITTED IN ANY FORM OR BY ANY MEANS, ELECTRONIC OR MECHANICAL, INCLUDING PHOTOCOPYING, RECORDING, OR BY ANY INFORMATION STORAGE AND RETRIEVAL SYSTEM, WITHOUT THE WRITTEN PERMISSION OF TYCOO ELECTRONICS CORPORATION.</small>		DWN J MCNEAL 31MAY2005 CRK L SMITH 31MAY2005 APVD M DELPHIAS 31MAY2005	tyco Electronics Tyco Electronics Harrisburg, PA 17105-3608
DIMENSIONS: METERS	TOLERANCES UNLESS OTHERWISE SPECIFIED: 0 PLC ± 1 PLC ± 2 PLC ± 3 PLC ± 4 PLC ± ANGLES ± FINISH	NAME PRODUCT SPEC APPLICATION SPEC WEIGHT CUSTOMER DRAWING	NAME CABLE ASSY FIBER OPTIC AMPTRAC MT-RJ TO LC DUPLEX, 62.5um, MM SIZE CAGE CODE DRAWING NO RESTRICTED TO
MATERIAL		SCALE 2:1 SHEET 1 OF 1 REV A	A 100779 C-1435792